

## SD Card Economical MDVR

**BIG  
SALE**

### ZM-S4H ECONOMICAL



### Key features

4CH 720P video trail recording, 1CH 4-screen output, 1SD card storage

Adopts embedded design, Linux system ensure the system stable and reliable

Analog HD, H.264 encode, real time double stream record and remote monitoring

The SIM card and SD card pre-positive, easy for mount, removal and maintenance

Support mobile detection alarm, digital watermark on video and picture output

Sleep mode, after flame-out, continual GPS locating, remote arousal available

### Stability

Aluminum frame easy to heat dissipation, fanless to avoid dust from the outside

Double backup system, data protection, more stable and easier to control

10V to 36V power input wide voltage, special protection in automobile power system

6~60V instantaneous pulse power protection system for the MDVR

### Extendable Features

4 I/O input available, record braking, reversing, turning and alarming

1 I/O output available, enabling telltale lamp, tell-tale signal and remote control

1 CAN-BUS interface available, recording speed, rotational speed, acceleration, temperature, and fuel consumption

1 RS232 serial ports, 1 RS485 serial ports available and LED display, attendance machine, vehicle PTZ and more

Connect the vehicle speaker to broadcast the station reporting, intercom interface connect to the control center

Pulse sensor interface available, it can be used to obtain the real-time vehicle speed

**Application:**

Camera video surveillance for commercial vehicle:



**Public Transit**



**School Bus**



**Cargo Truck**



**Sedan SUV**

Please ensure that the product work in the appropriate environment, when you in trouble please contact us:



**Contact Us**



**Stabilize Power**



**Temp Humidity**



**No Dismantle**

**Model**

- Z:** Economical      **M:** Mobile DVR
- S:** SD Card / HDD    **4/8:** 4channel / 8channel
- H:** High Definition    **D:** D1 Definition
- G:** GPS module
- W:** WCDMA 3G module    **E:** EVDO 3G module
- L:** TD-LTE 4G module
- F:** WIFI module

**Model and Function Table**    √:Enabled    ×:Disable

Model List	HD	GPS	3G/4G	WiFi
ZM-S4H	√	×	×	×

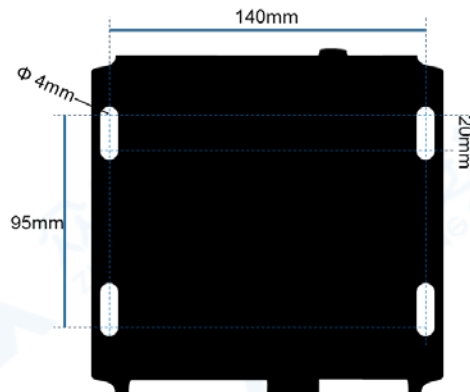
**Product Size**

Item	Parameter
Mainframe	(LxWxH) 150x155x32 mm; 415g
Install Hole	(LxW) 77x142 mm
Package	(LxWxH) 162x270x50 mm
Weight	780g
Total Package	32set (LxWxH) 420x600x350 mm
Total Weight	16set 27.50Kg

**Mainframe Size**



**Installation Hole Size**



## Specification

Item	Parameter	Performance
Name	Module	AM-S4HE series
Power	Power Input	DC+10V~+36V, Standby 3mA, 12V 1.5A or 24V 0.75A, Max 18W
	Power Output	DC 5V / 300mA, Power for camera
	ACC (Car Keys Signal)	Car Keys On> 7.5V, Car Keys Off< 6V,
System	Operation Mode	Infrared remote control, Network control
	System Security	User password and administrator password, Hard-disk storehouse with key lock
	Standard Video Stream	ISO14496-10, Class 1~8, the image resolution from highest to lowest.
	Data Storage	1 SD Card slot, max 256GB
Software	Analysis Software	Video playback and information of floating vehicles analysis at PC
	PC Management	Video preview, GPS information, alarm upload and command download
	Client Software	PC client management software
	Mobile Software	Apple & Android mobile phone management software
Video	Video Input	4Ch AHD(720P) / D1 / HD1 / CIF optional
	Video Output	1Ch CVBS
	Video Display	1Ch picture, 4Ch picture, MDVR parameter settings interface
	Signal Standard	Voltage:1.0Vp-p, Input / Output Impedance:75 Ω
	Video Standard	PAL Mode, NTSC Mode
	Code Rate of Video	CIF: 1536Kbps ~ 128Kbps      HD1 : 2048Kbps ~ 380Kbps D1 : 2048Kbps ~ 400Kbps      720P: 4Mbps~1.5Mbps
	Video Compression	H.264 Main profile, 100 frame / sec
Audio	Audio I / O	4ch audio in, 1ch audio out, support 1ch audio amplifier output
	Signal Standard	Voltage:2.0Vp-p, Input / Output Impedance:4.7KΩ / 1.0 KΩ
	Audio Code	G726, Audio code rate 32Kbps / 40Kbps, voice and video synchronization
Alarm	Alarm Input	4Ch Alarm Input, Alarm for low level 0~4V, Alarm for high level > 4V
	Alarm Output	1Ch Alarm Output, output high voltage 12V
Storage	SD Card Slot	2 SD card slot , 64GB max / SD card slot, support main brand SD 720P 1GB/Hour/CH; 960H 750MB/Hour/CH
COM.	Serial Port	1Ch RS485; 1Ch RS232
	CAN Port	1Ch CAN-BUS interface
	Ethernet Port	1Ch 10M/100M Ethernet
	Tack-Balk Port	By extending the interface connection intercom equipment
	Speed Port	Extending the pulse data of vehicle
Wireless	EVDO	Null
	WCDMA	Null
	TD-LTE	Null
	WIFI	Null
GPS	Null	Null
G-Sensor	6D G-Sensor	Build-in G-Sensor ±8g modules,
Environment	Temperature	-20~+70 centigrade in well ventilated situation
	Air Humidity	The situation < 95%